

## Ceiling Mount Bracket

### Description

This ceiling mount bracket is to be used when mounting DLP™-based projectors to the high ceiling.

### Specifications

Vertical correction angle:	+5°, -17°
Horizontal correction angle:	±2.5°
Dimensions (W x H x D):	509 x 345 x 343 mm (20-1/32" x 13-9/16" x 13-1/2")
Weight:	7.5 kg (16.5 lbs)

Weights and dimensions shown are approximate. Specifications subject to change without notice. Digital Light Processing and DLP are trademarks of Texas Instruments.

### Parts

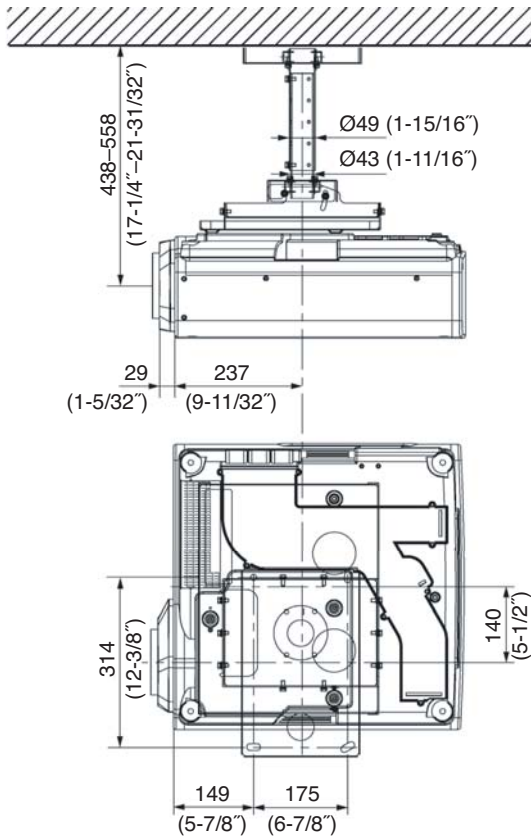
Attachment plate . . . . .	1	Pole fixer . . . . .	1
Angle adjuster . . . . .	1	Safety fitting . . . . .	1
Adjuster pole A . . . . .	1	Washer-fitted screws (M6 x 12) . . . . .	29
Adjuster pole B . . . . .	1	Washer-fitted screws (M4 x 8) . . . . .	4
Projector mount bracket . . . . .	1		

### Caution:

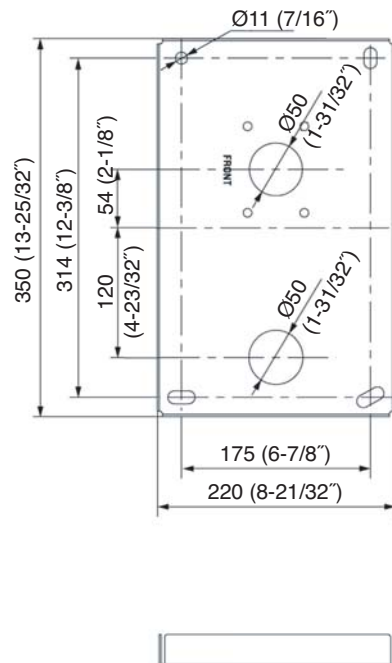
Mounting should be done by a qualified technician. Make sure that the mounting (ceiling) area has sufficient strength. Read the enclosed mounting instructions thoroughly before starting.

### Dimensions

The assembled ET-PKD75 with a projector and the ET-D75LE1 optional lens mounted



Attachment Plate



Note: This illustration is not drawn to scale.

unit: mm (inch)  
(Dimensions given in inches are approximate.)